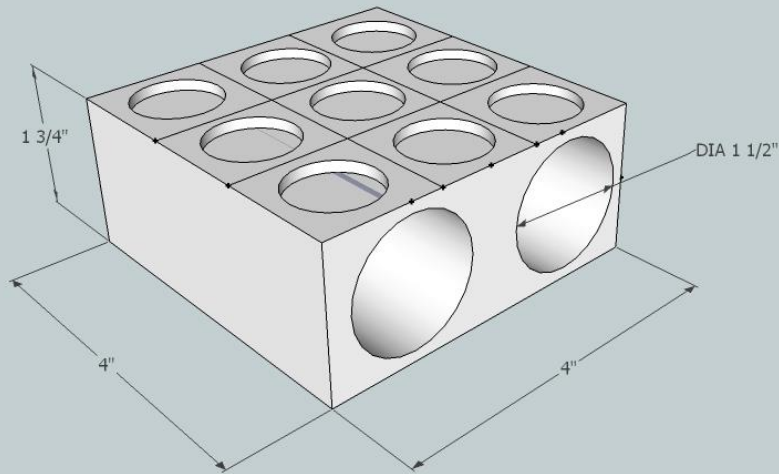


Marble Tic-Tac-Toe



© Woodlogger.com

Materials

- (1) - 2" x 6" x 4' (I used untreated pine)

Materials

- (1) - 1-3/4" x 4" x 4"